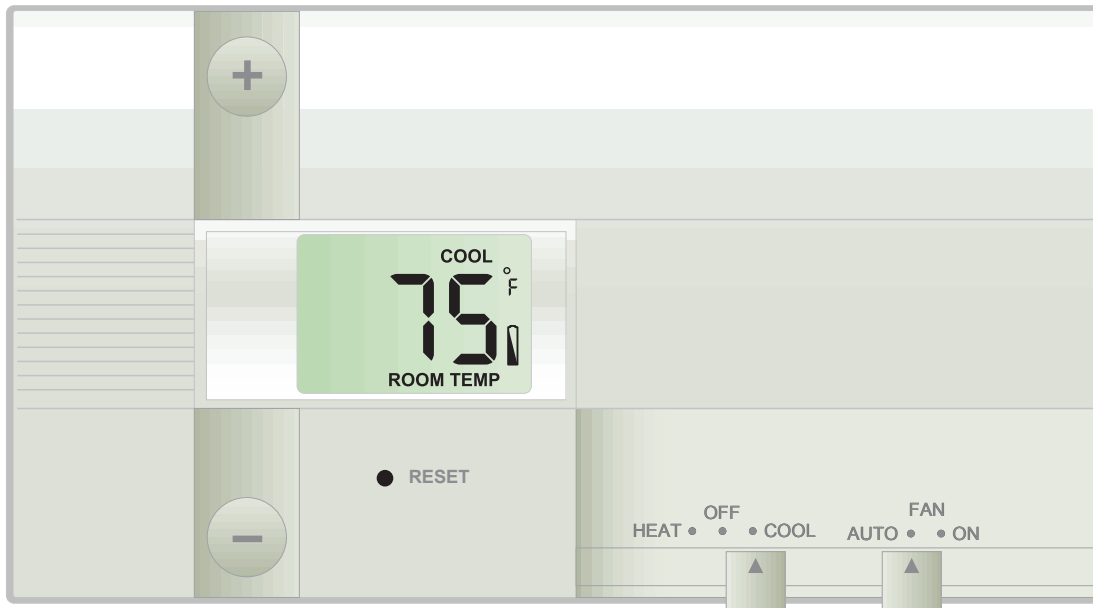


DIGITAL NON-PROGRAMMABLE 1 STAGE COOL 1 STAGE HEAT



- LARGE BACK LIT DISPLAY FOR EASY VIEWING AND TEMPERATURE SETTING.
- COMPATIBLE WITH MOST STANDARD 24 VOLT AND MILLIVOLT HEAT - COOL SYSTEMS
- ZONE COMPATIBLE - 2 OR 3 WIRE HOT WATER AND ZONED BAFFLE SYSTEMS
- BATTERY OR SYSTEM POWERED
- TEMPERATURE CALIBRATION FOR CUSTOMER COMFORT AND PEACE OF MIND
- AUTOMATIC COMPRESSOR SHORT CYCLE PROTECTION
- FAHRENHEIT OR CENTIGRADE COMPATIBLE
- LOW BATTERY INDICATOR

REPLACES

ROBERT SHAW: 09500,09400,09401,08400,08401

HONEYWELL: T8400,T8401,TH5110,TH3110

WHITE RODGERS: 1F78,1F86

ICM: SC2000,SC2001, SC2010

BRAEBURN: 1000,3000

LUX: PSP111

PRODUCT SPECS

ELECTRICAL RATING -

0 to 30V AC or DC (24VAC or Millivolt systems)
2 Amp max load per terminal (relay contact ratings)
6 Amp maximum load (all terminal combined)

TEMP RANGE - 35° - 90°F (2° - 32°C)

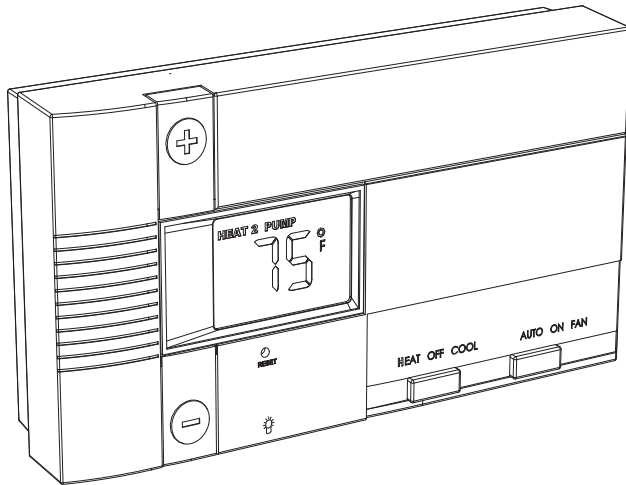
ACCURACY - +/-1F (+/-.5C) note: temp calibration +/-4F

POWER - Power 24VAC and/or 3VDC (2AA Batteries)

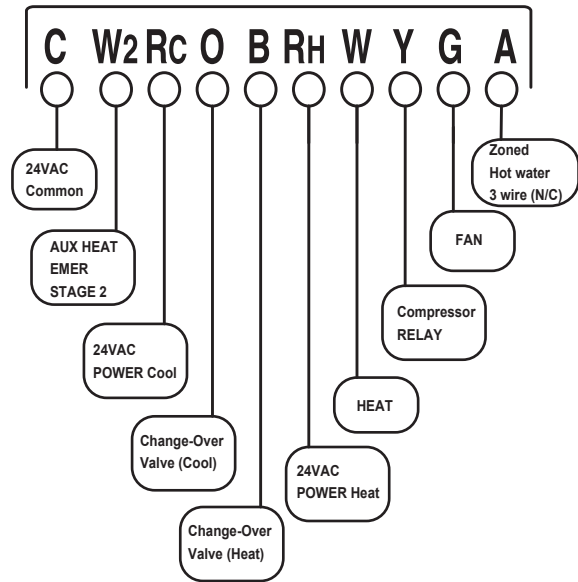
SYSTEM COMPATIBILITY - 2 stage heat, 1 stage cool

TERMINALS - C W2 Rc O B Rh W Y G A

UNIT DIMENSIONS - 5.60 x 3.13 x1.42



TERMINALS



The GT5000 can be used with most 24 volt gas, oil or electric heating and air conditioning systems, single-stage heat pumps or gas millivolt heating systems. It cannot be used with 120 volt heating systems or multistage heat pumps.

The GT5000 is digital. You can set your desired heat and cool temperature set points directly on the Large LCD display.

You can easily override the set temperatures.

4-minute minimum off time in COOL protects your air conditioning system from being damaged.

Two "AA" batteries (included) are used to retain programming memory and to run the thermostat.

* 2 YEAR LIMITED END USER WARRANTY

GEMAIRE DIST LLC

1708 PARK CENTRAL BLVD N

POMPANO BEACH, FL 33064