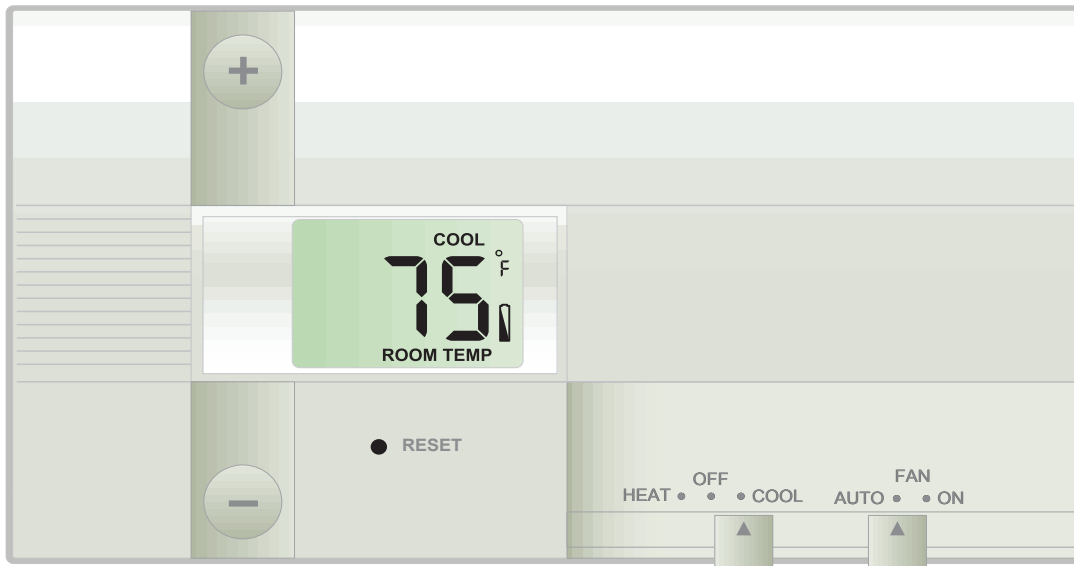


DIGITAL NON-PROGRAMMABLE HEAT PUMP 1 STAGE COOL 2 STAGE HEAT



- LARGE BACK LIT DISPLAY FOR EASY VIEWING AND TEMPERATURE SETTING.
- COMPATIBLE WITH ALL STANDARD 24 VOLT AND MILLIVOLT HEAT - COOL SYSTEMS
- HEAT PUMP SYSTEMS WITH AUXILIARY AND/OR EMERGENCY HEAT
- ZONE COMPATIBLE - 2 OR 3 WIRE HOT WATER AND ZONED BAFFLE SYSTEMS
- BATTERY OR SYSTEM POWERED
- TEMPERATURE CALIBRATION FOR CUSTOMER COMFORT AND PEACE OF MIND
- SELECTABLE HEAT PUMP AND AUX HEAT TEMPERATURE DIFFERENTIAL
- EMERGENCY HEAT BUTTON
- AUTOMATIC COMPRESSOR SHORT CYCLE PROTECTION
- FAHRENHEIT OR CENTIGRADE COMPATIBLE
- LOW BATTERY INDICATOR

REPLACES

ROBERT SHAW: 09500,09400,09401,08400,08401

HONEYWELL: T8400,T8401,TH5110,TH3110

WHITE RODGERS: 1F78,1F86

ICM: SC2000,SC2001, SC2010

BRAEBURN: 1000,3000

LUX: PSP111

PRODUCT SPECS

ELECTRICAL RATING -

0 to 30V AC or DC (24VAC or Millivolt systems)
2 Amp max load per terminal (relay contact ratings)
6 Amp maximum load (all terminal combined)

TEMP RANGE - 35° - 90°F (2° - 32°C)

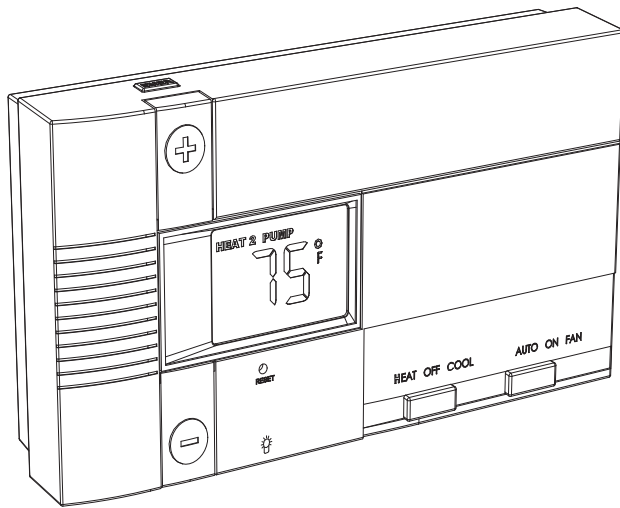
ACCURACY - +/-1F (+/- .5C) note: temp calibration +/-4F

POWER - Power 24VAC and/or 3VDC (2AA Batteries)

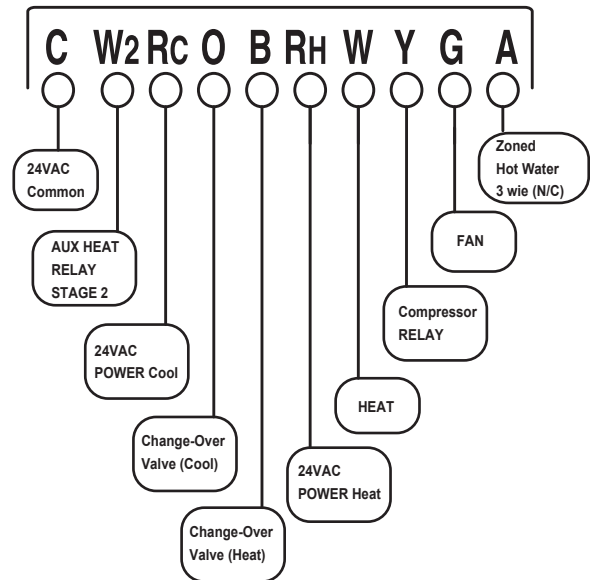
SYSTEM COMPATIBILITY - heat pump or heat pump with aux heat, 1 stage cool

TERMINALS - C W2 Rc O B Rh W Y G A

UNIT DIMENSIONS - 5.60 x 3.13 x 1.42"



TERMINALS



The GT5020 can be used with most 24 volt gas, oil or electric heating and air conditioning systems, heat pumps or gas millivolt heating systems. It cannot be used with 120 volt heating systems.

The GT5020 is digital. You can set your desired Heat and cool temperature set points directly on the Large LCD display.

You can easily override the set temperatures.

4-minute minimum off time in COOL protects your air conditioning system from being damaged.

Two "AA" batteries (included) are used to retain your time and temperature settings, and to run the thermostat.

* 2 YEAR LIMITED END USER WARRANTY

GEMAIRE DIST LLC

1708 PARK CENTRAL BLVD N

POMPANO BEACH, FL 33064