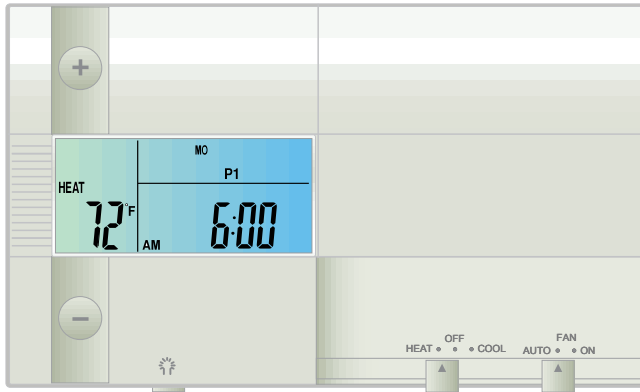


DIGITAL PROGRAMMABLE HEAT PUMP WITH 2 STAGE HEAT, 1 STAGE COOL



- SPECIAL DAY PROGRAM
- PROGRAM LOCK FUNCTION
- TEMPERATURE SWING ADJUSTMENT
- FAHRENHEIT OR CENTIGRADE DISPLAY
- 12 OR 24 HOUR CLOCK SELECTABLE
- BATTERY OR SYSTEM POWERED
- LOW BATTERY INDICATOR
- EMERGENCY HEAT BUTTON

- FULLY PROGRAMMABLE, 4 TIME PERIODS, EPA ENERGY STAR PROGRAM DEFAULT
- COPY BUTTON FOR EASY PROGRAMMING
- LARGE BACK LIT DISPLAY FOR EASY VIEWING AND TEMPERATURE SETTING.
- COMPATIBLE WITH MOST STANDARD 24 VOLT AND MILLIVOLT HEAT - COOL SYSTEMS
HEAT PUMP SYSTEMS WITH TWO STAGE HEAT
ZONE COMPATIBLE - 2 OR 3 WIRE HOT WATER AND ZONED BAFFLE SYSTEMS
- TEMPERATURE CALIBRATION FOR CUSTOMER COMFORT AND PEACE OF MIND
- SELECTABLE HEAT PUMP AND AUX HEAT TEMPERATURE DIFFERENTIAL
- AUTOMATIC COMPRESSOR SHORT CYCLE PROTECTION
- FAHRENHEIT OR CENTIGRADE COMPATIBLE
- BATTERY BACK-UP MEMORY MAINTAINS ALL SETTINGS THRU POWER OUTAGES
- HOLD AND TEMPORARY BUTTONS FOR USER COMFORT

REPLACES

ROBERT SHAW: 9615,9620,8625
 HONEYWELL: TH6220,T8611,T8011
 WHITE RODGERS: 1F72,1F81,1F82,1F85
 ICM: SC3201
 BRAEBURN: 5100,5200
 LUX:PSPH521

PRODUCT SPECS

ELECTRICAL RATING -
 0 to 30V AC or DC (24VAC or Millivolt systems)
 2 Amp max load per terminal (relay contact ratings)
 6 Amp maximum load (all terminal combined)

TEMP RANGE - 35° - 90°F (2° - 32°C)

ACCURACY - +/-1F (+/- .5C) note: temp calibration +/-4F

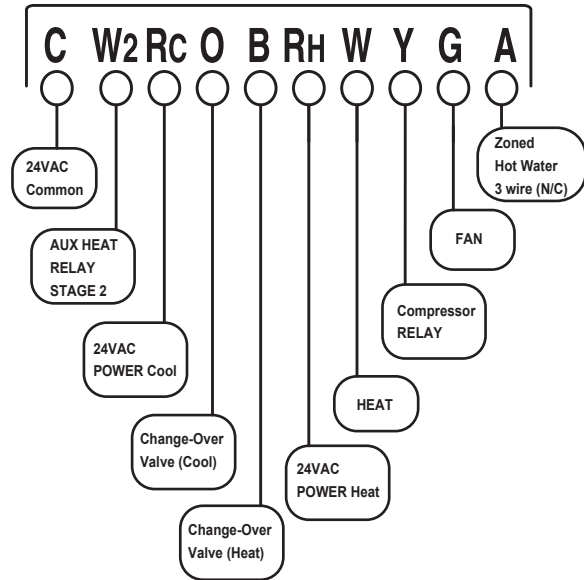
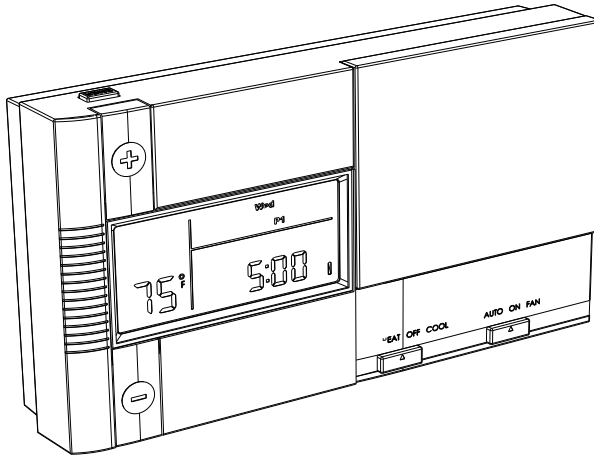
POWER - Power 24VAC and/or 3VDC (2AA Batteries)

SYSTEM COMPATIBILITY - heat pump or heat pump with 2 stage heat, 1 stage cool

TERMINALS - C W2 Rc O B Rh W Y G A

UNIT DIMENSIONS - 6.32 x 3.86 x 1.38"

TERMINALS



The GT7020 can be used with most 24-volt gas, oil or electric heating and air conditioning systems, heat pumps, heat pumps with 2 stage heat and gas millivolt heating systems. **It cannot be used with 120 volt heating systems.**

The GT7020 is programmable. There are 4 programming periods per day. Each period can be programmed separately.

You can use the built-in time/temperature programs, or alter them to suit your schedule. The GT7020 separately programs each day of the week for both heating and cooling. You can easily override the programmed temperatures for as little as one programming period or up to an entire vacation.

The large backlit liquid crystal display shows time, day of the week, room and set temperatures. It will also remind you when the filter should be changed in your blower.

Temperature swing adjustment lets you fine-tune your system for maximum comfort and energy efficiency.

A 5-minute minimum off time protects your compressor system from being damaged.

Two "AA" batteries are used to retain your time and temperature programs and to run the thermostat.

* 2 YEAR LIMITED END USER WARRANTY

GEMAIRE DIST LLC

1708 PARK CENTRAL BLVD N

POMPANO BEACH, FL 33064